

230
VOLT

GATE OPERATOR R30

For gate leaves up to 3,5 m



650R30

230 V electromechanical gate operator. Maximum gate leaf 3,5 m / 400 kg (foundation box to be ordered separately)

Features:

- residential use
- for gates leaves up to 3,5 m
- 230 V gate operator
- electromechanical motor
- protection degree IP67

Pros:

- virtually invisible, does not affect the design of the gate
- opening up to 180° thanks to the optional 700KIT180 kit
- watertight for reliable operation
- manual release
- high torque and power
- suitable for large gates and non standard sized posts

Technical features

	R30
Power supply	230 V AC (50 - 60 Hz)
Motor power supply	230 V AC
Absorption	1,4 A
Absorbed power	260 W
Opening time 90°	16,5 sec.
Duty cycle	33 %
Max. torque	402 Nm
Operating temperature	-20° C ÷ +55° C
Motor thermal protection	160° C
Degree of protection	IP 67



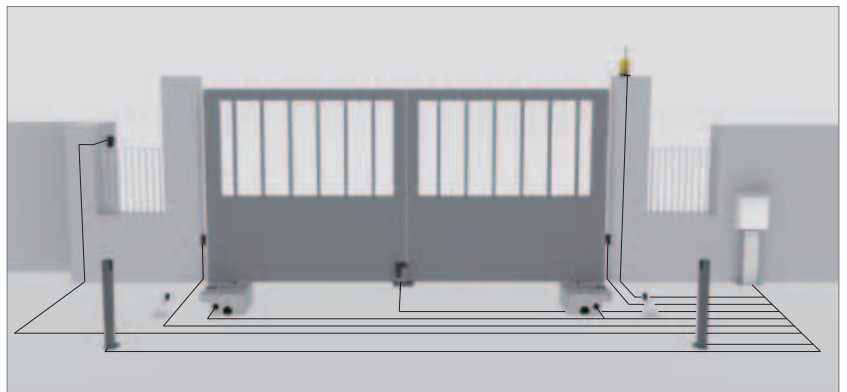
Watertight

Water proof design ensuring a complete and lasting protection.



Stainless Steel Box

The stainless steel foundation box ensures the highest resistance from corrosion.



The above represented installation does not include safety devices such as safety edges. Their addition depends upon the risk assessment made on any installation in accordance with EN 12445-12453 standards.

Accessories



700CFR40C
Hot-dip galvanized foundation box with release system



750CUP
Control unit enclosure protective lid



700CFR40X
Stainless steel foundation box with release system



700GS3
Weatherproof cable connector for 3-core 230 V cable



700CFR40CT
Cataphoresis steel foundation box with release system



650ESV1-2
Electric lock (1 = left hand opening – 2 = right hand opening)



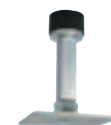
S-700CFR4060
Stainless steel cover lid for foundation box



700BAP
Gate stopper for heavy leaves



700KIT180
180° opening kit



700BAP2
Gate stopper wall/floor mount



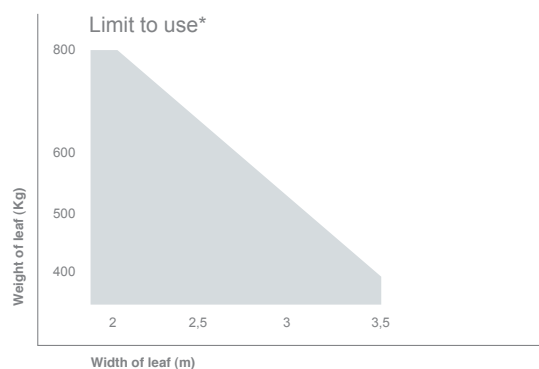
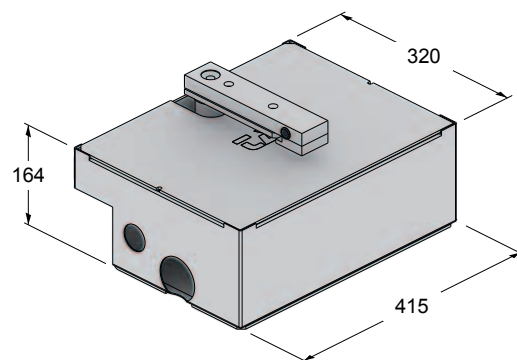
700KITBFR
Adjustable mechanical stop lever



C-TARG
Aluminium CE Mark Label, self adhesive



750D760M
Electronic control unit for one or two 230 V gate operators with soft-stop and built-in 433,92 MHz rolling code radio receiver, complete with enclosure



*They refer to leaves with openings and not totally closed panels.



Further accessories:
Transmitters page 106
Photocells page 112
Flashing lights page 115