

**12**  
VOLT

# GATE OPERATOR R40

For gate leaves up to 3,5 m

## 650R40

DC electromechanical gate operator with encoder. Maximum gate leaf 3,5 m / 400 kg (foundation box to be ordered separately)

### Features:

- residential / apartment building use
- for gates leaves up to 3,5 m
- low voltage DC gate operator
- optical encoder technology
- electromechanical motor
- protection degree IP67

### Pros:

- virtually invisible, does not affect the design of the gate
- opening up to 180° thanks to the optional 700KIT180 kit
- obstacle detection and crush prevention
- in accordance with EN 12445-12453 standards
- works even in case of a power cut thanks to the optional battery pack
- works even during power outage thanks to the optional backup battery
- intensive use, ideal for use on apartment buildings and public entrances
- watertight for reliable operation



### Technical features

	<b>R40</b>
Power supply	230 V AC (50 - 60 Hz)
Motor power supply	18 V DC
Absorption	1,5 A
Absorbed power	28 W
Opening time 90°	18 sec.
Duty cycle	100 %
Max. torque	458 Nm
Operating temperature	-20° C ÷ +55° C
Motor thermal protection	-
Degree of protection	IP 67



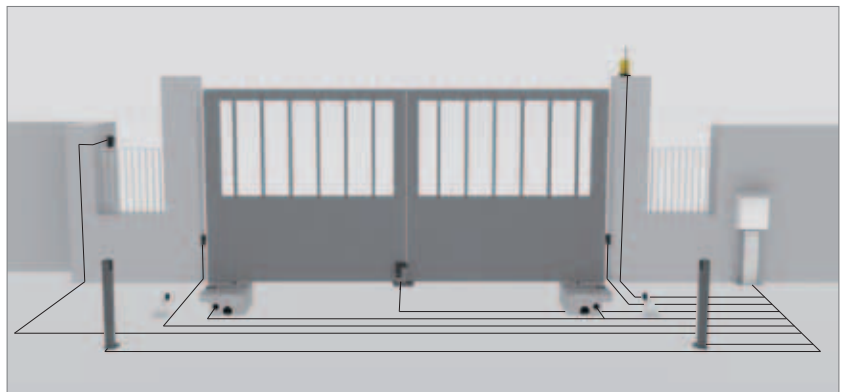
### Watertight

Water proof design ensuring a complete and lasting protection.



### Stainless Steel Box

The stainless steel foundation box ensures the highest resistance from corrosion.



The above represented installation does not include safety devices such as safety edges. Their addition depends upon the risk assessment made on any installation in accordance with EN 12445-12453 standards.

## Accessories



**700CFR40C**  
Hot-dip galvanized  
foundation box **with release  
system**



**750D749MA**  
Electronic control unit for one  
or two DC gate operators with  
encoder, complete with 433,92  
Mhz rolling code radio receiver,  
battery charger, transformer and  
enclosure



**700CFR40X**  
Stainless steel foundation  
box **with release system**



**200BATT**  
12 Volt Battery, 7,2 Ah



**700CFR40CT**  
Cataphoresis steel  
foundation box **with release  
system**



**700GS5**  
Weatherproof cable  
connector for 5-core 12 V  
cable



**S-700CFR4060**  
Stainless steel cover lid for  
foundation box



**650ESV1-2**  
Electric lock (1 = left hand  
opening – 2 = right hand  
opening)



**700KIT180**  
180° opening kit



**C-TARG**  
Aluminium CE Mark Label,  
self adhesive

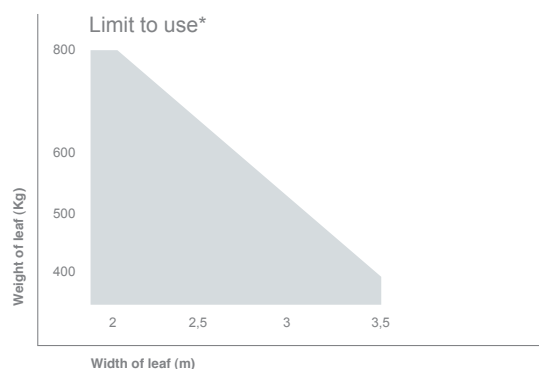
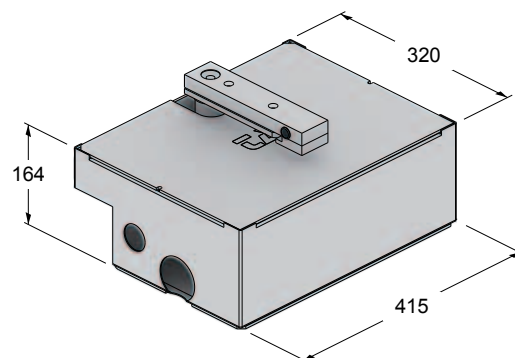


**700KITBFR**  
Adjustable mechanical stop  
lever

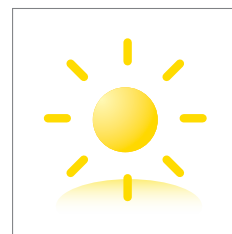


**M-030000CC50**  
Multicore cable (2 x 2.5  
sq.mm + 3 x 0.5 sq.mm)

Use only M-030000CC50 cable or equivalent



\*They refer to leaves with openings and not totally closed panels.



**Solar power**  
Thanks to the  
Photovoltaic (PV)  
Technology, every  
low voltage DC gate  
operator can be solar  
powered. Discover the  
advantages of the solar  
energy at page 126



**Further accessories:**  
Transmitters page 106  
Photocells page 112  
Flashing lights page 115